

# B 20-03 N gauge LNER country station

All drawings are not in scale. Some proportions on drawings may differ from reality.

For additional elements for modification and extension please visit our website at [www.lcut.co.uk](http://www.lcut.co.uk) or email us at [contact@lcut.co.uk](mailto:contact@lcut.co.uk)

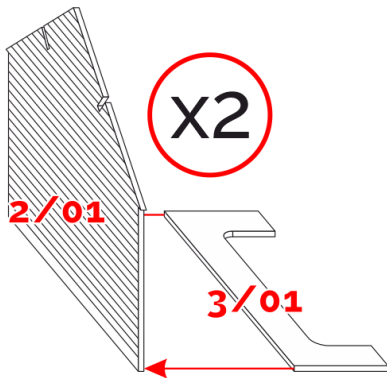
Footprint: Width: 91mm, Depth: 34mm



We recommend PVA/wood glue or Deluxe Materials Laser Kit Glue for the main fibre board/MDF parts and resin based/CA glue for 3D printed parts if present.

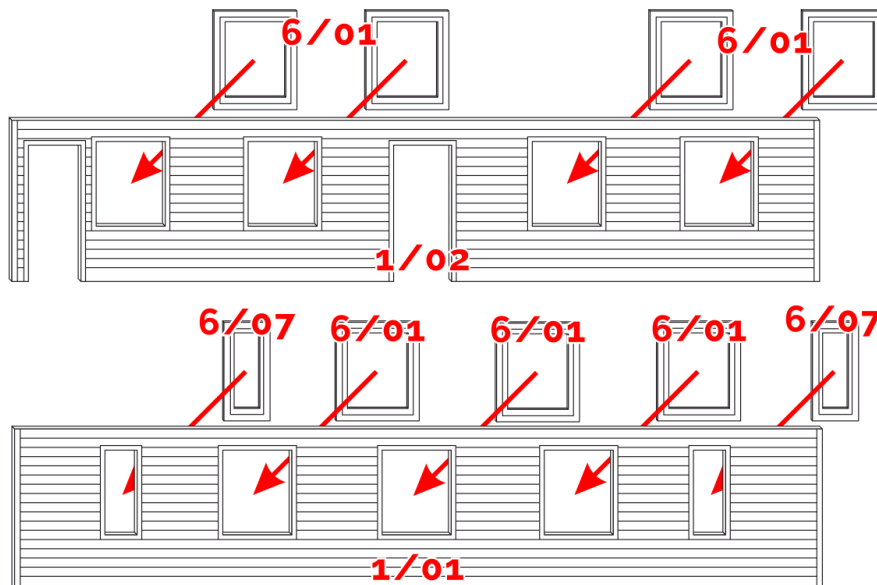
Painting recommendation: We recommend using acrylic or enamel paints. The MDF parts if this kit require undercoating with a suitable primer. If you experience any warping on the material leave it to fully dry and then gently bend it back into shape. Always test any paints in an area that will not be seen or on spare parts/off cuts.

Parts list breakdown can be found on the last page of this manual.

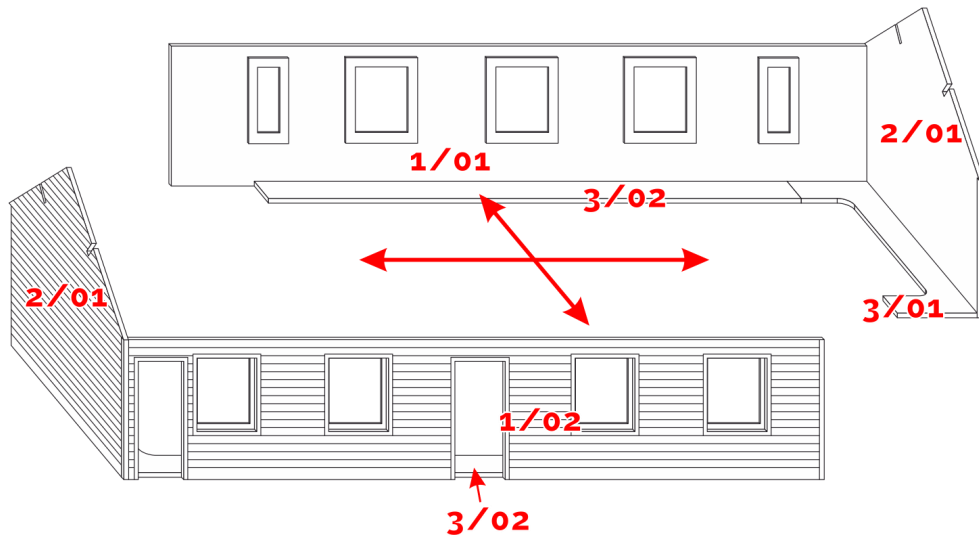


Begin the assembly by joining the side lower supports to the side walls. Make sure they are even and flush with the lower edge of the side wall.

Glue the inner frames of the windows to the front and back elevations. Use the scribed lines on the inner frames to align them in the openings.

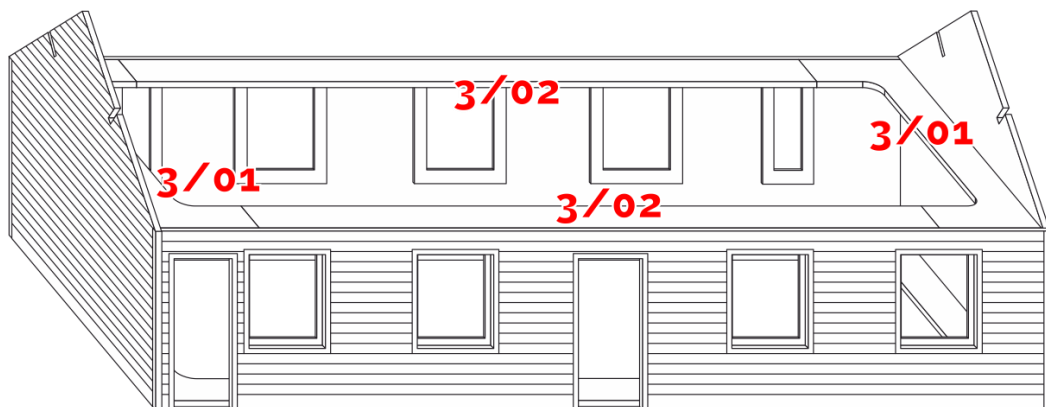


Join the prepared walls together. Add two lower wall supports (3/02), they are deliberately slightly oversized so they can be trimmed to be a perfect fit. Do not force them in.

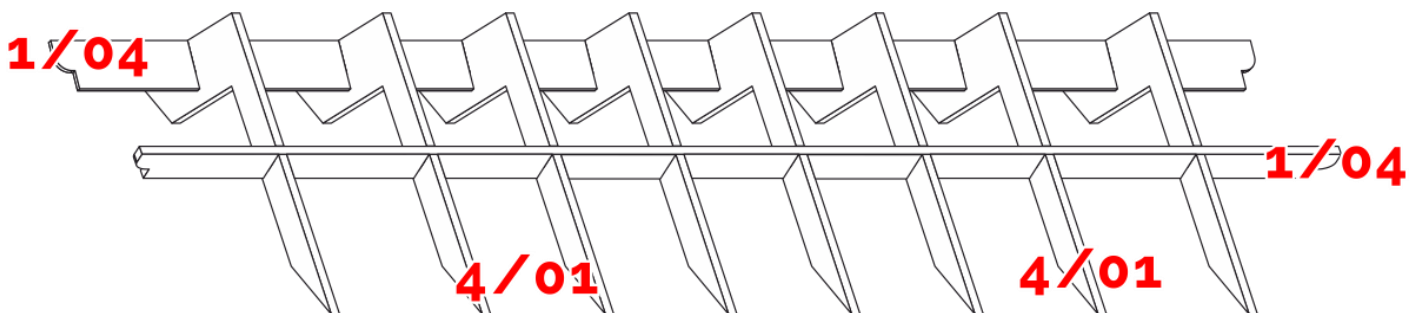


Fit another set of wall supports to the top edge of the walls. Ensure they are flush and even with top of the walls.

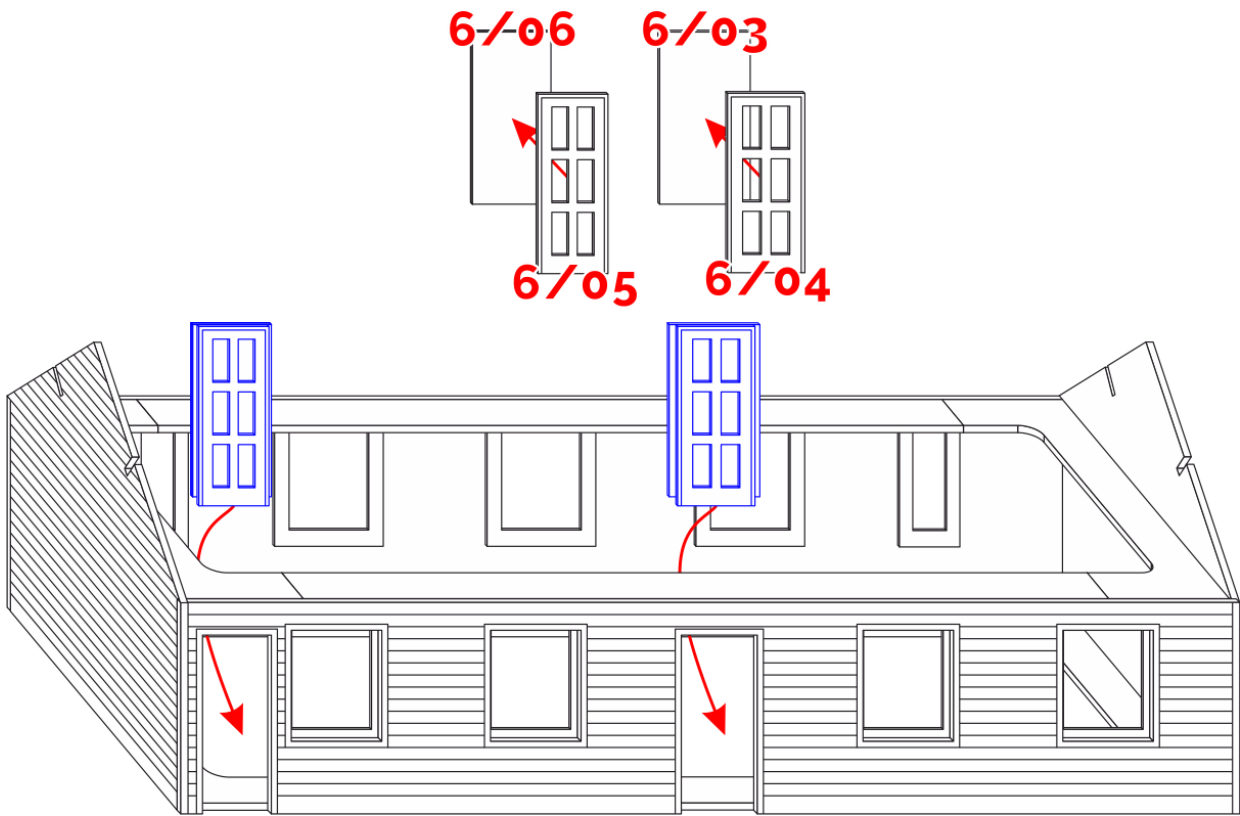
It is recommended to paint the station walls at this stage.



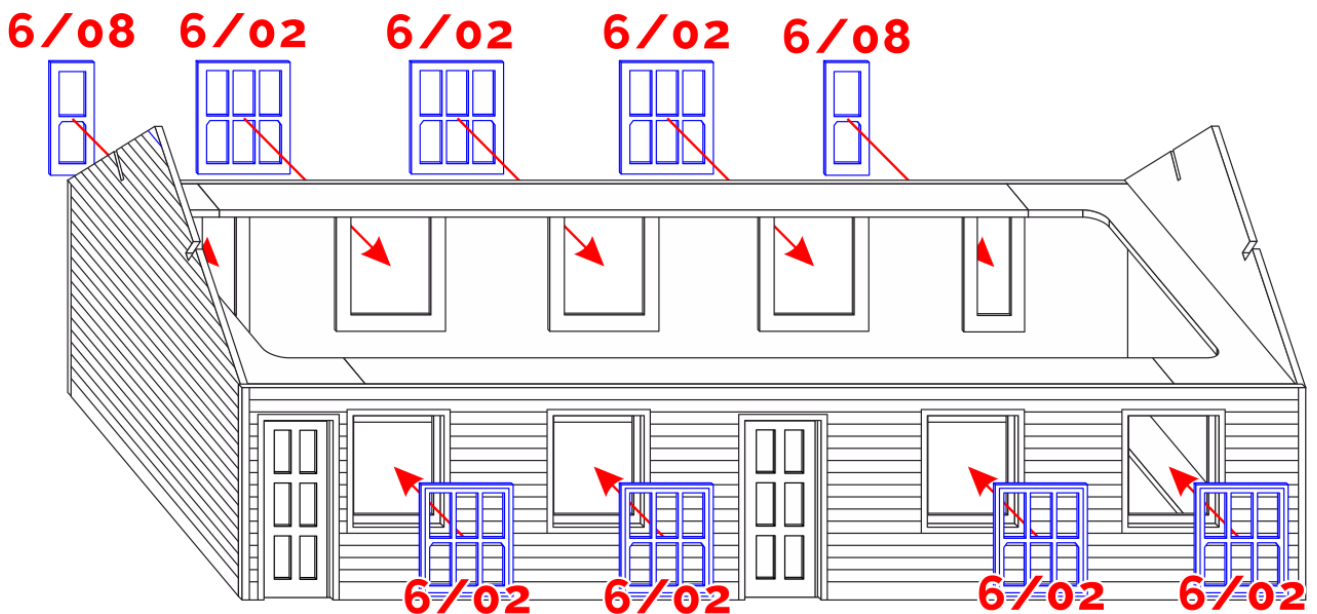
Assemble the roof support structure as shown on the next picture.



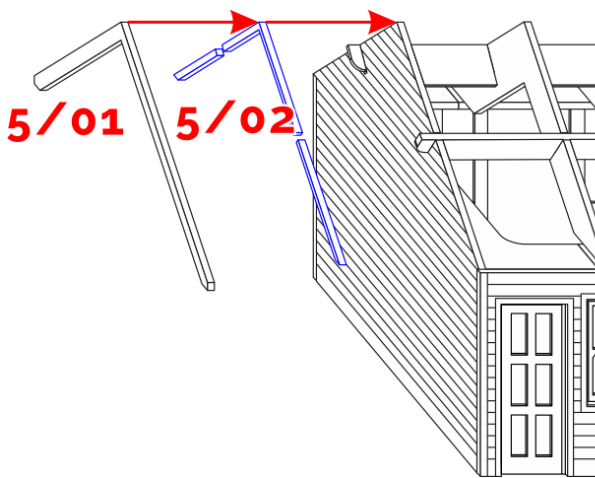
Assemble the doors noting there are 2 widths of doors. The bottom piece should protrude from the sides and be flush with the top. There should be a gap at the bottom to clear the lower wall supports. Paint the doors before fitting. Fit the doors from the inside of the building.



Paint and fit the windows. Its best to pre paint them while they are still in the fret. The material is thin and prone to warping. We recommend spraying it with a thin coat of grey primer (any off the shelf is ok) and then spraying with the final colour coat. If they warp they can be coaxed back to being straight with a bit of heat and pressed between pages of a book (must be fully dry, use non stick backing paper to protect the book). Glaze with suitable thin clear plastic (not included but the bag the kit came in can be used as glazing). Fit the windows from the outside of the building.



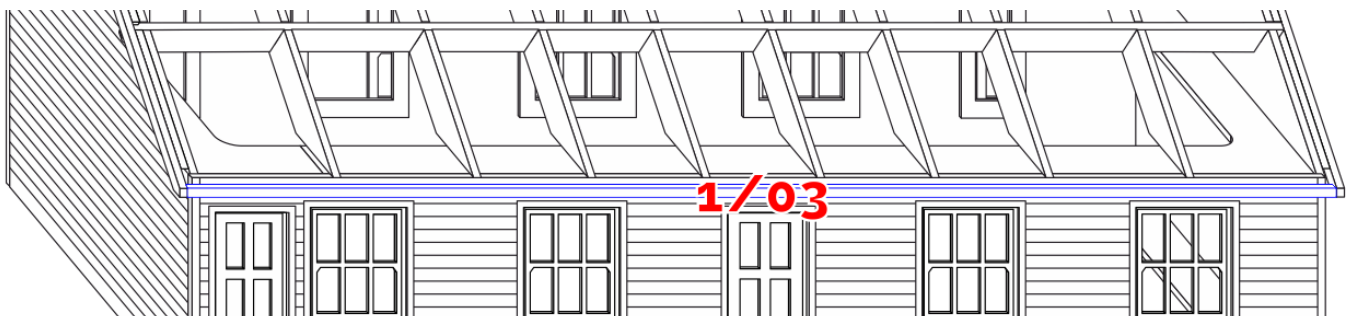
Fit the roof support structure to the station. There is enough flex in the material to very gently bend it in.



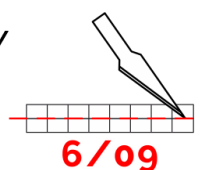
Barge boards need to be offset from the wall. Glue 5/02 pieces to the top edge of the angled gable. Make sure they are even and not protruding from the top edge. They can be very fiddly so take your time.

Finally glue the barge boards 5/01 over the 5/02 stand offs.

Glue the soffits making sure they are straight and flush with the barge boards. Use a ruler or a piece of material as a guide.



SCORE GENTLY  
DO NOT CUT



Pre paint the roof panels and the ridge tiles. Gently score the ridge tiles along the middle line to make them easier to fold.

Glue the pre painted roof parts to the building. Roof tile panels need to be aligned well making sure they meet exactly in the middle. The chimneys may need sanding where they meet with the roof panels. Test fit before gluing. Fold the ridge tiles and glue to the top of the building.



# B 20-03 fret part reference sheet

